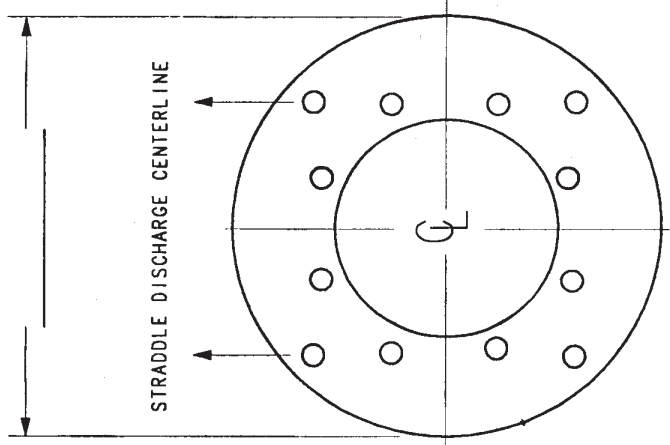
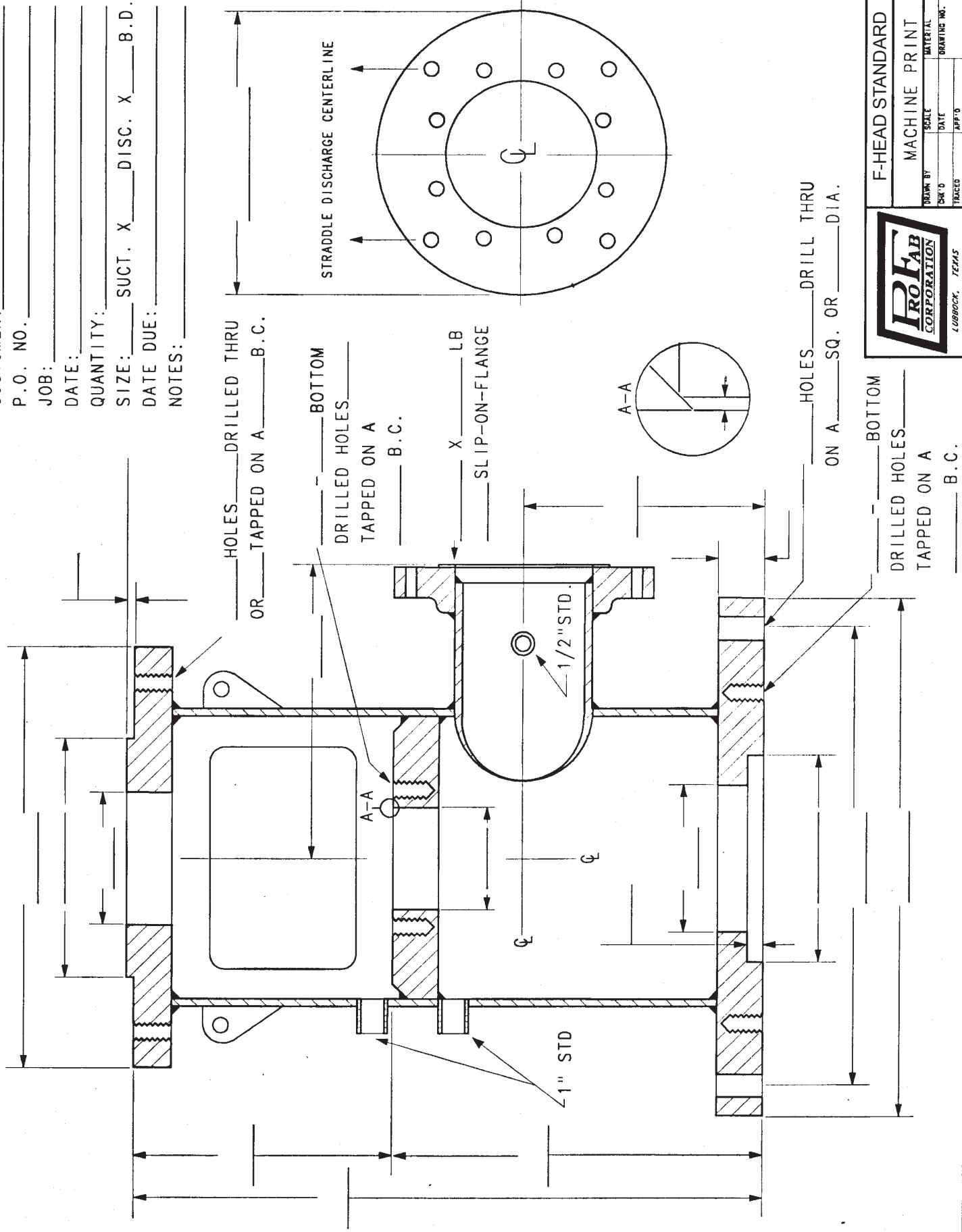


CUSTOMER: \_\_\_\_\_  
 P.O. NO. \_\_\_\_\_  
 JOB: \_\_\_\_\_  
 DATE: \_\_\_\_\_  
 QUANTITY: \_\_\_\_\_  
 SIZE: \_\_\_\_\_ SUCT. X \_\_\_\_\_ DISC. X \_\_\_\_\_ B.D.  
 DATE DUE: \_\_\_\_\_  
 NOTES: \_\_\_\_\_



**PROFAB CORPORATION**  
 LUBBOCK, TEXAS

F-HEAD STANDARD  
 MACHINE PRINT

SCALE	MATERIAL
DATE	DRAWING NO.
TRACED	APP'D