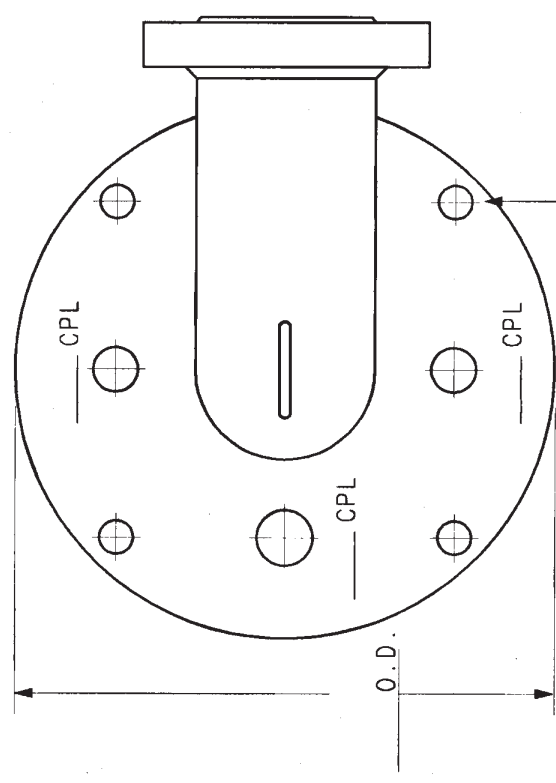
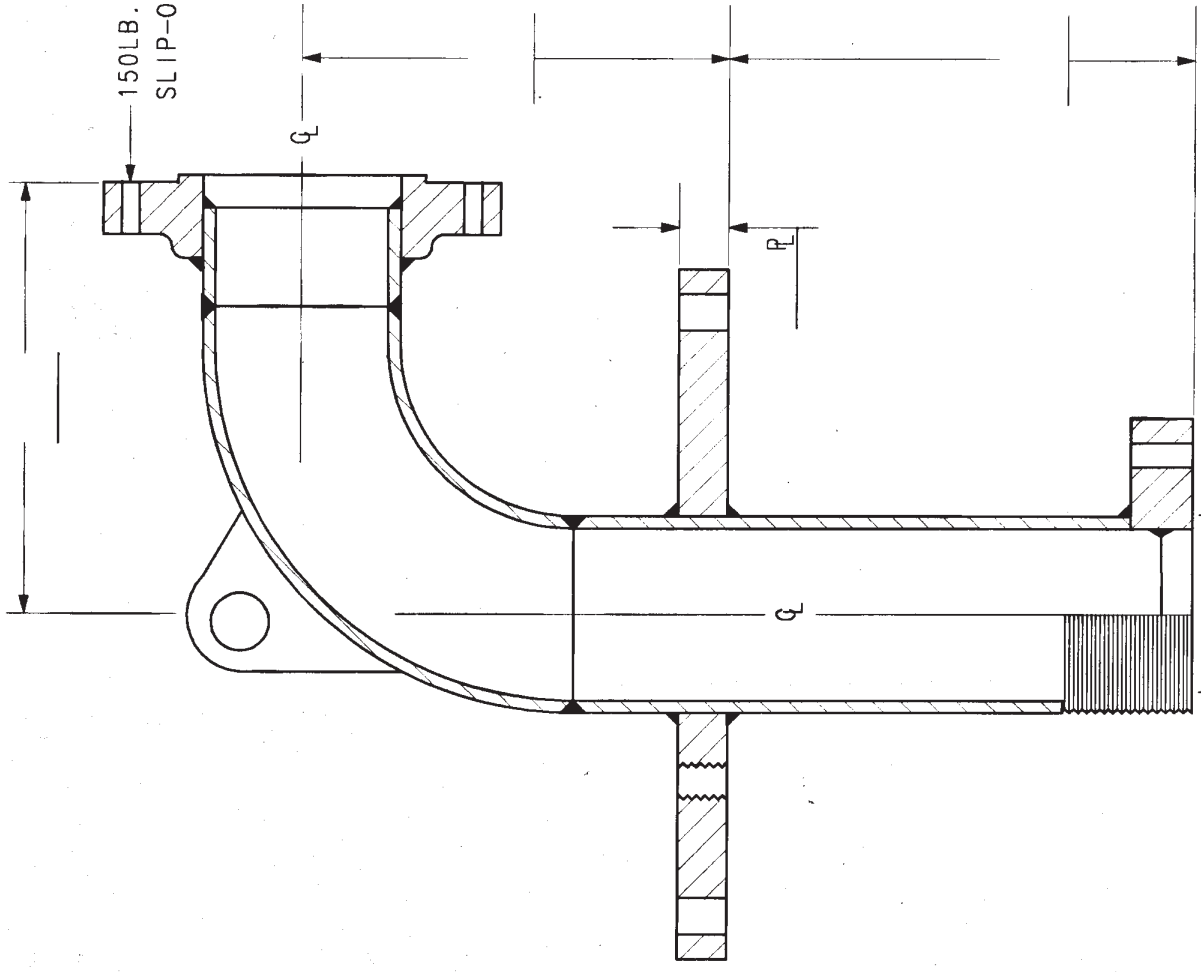


CUSTOMER: _____
 P.O. NO. _____
 DATE: _____
 DUE DATE: _____
 QUANTITY: _____
 SIZE: _____

150LB. R.F.
 SLIP-ON FLANGE



--- DRILL THRU
 HOLES ON A _____ B.C.

_____ O.D. X _____ I.D.
 --- HOLES ON A _____ B.C.



SUBMERSIBLE DISCHARGE HEAD

DRAWN BY	PDM	SCALE	NONE	MATERIAL	
CHK'D	RJW	DATE	5-30-91	DRAWING NO.	
TRACED		APP'D	RJW		