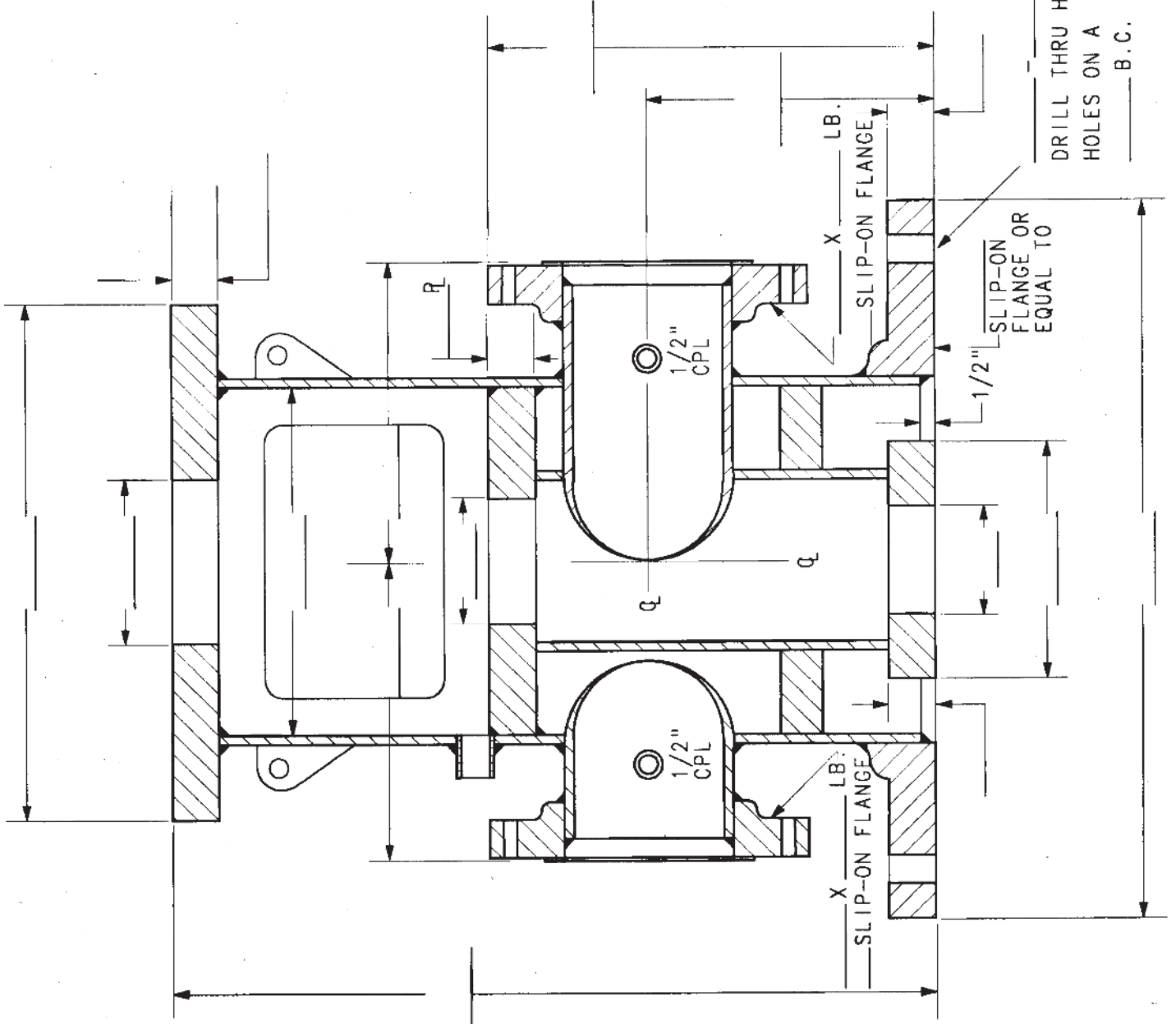
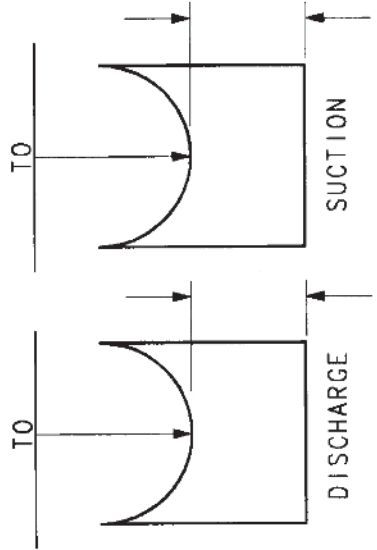


CUSTOMER: \_\_\_\_\_  
 P.O. NO \_\_\_\_\_  
 JOB: \_\_\_\_\_  
 SERIAL NO \_\_\_\_\_  
 DATE: \_\_\_\_\_  
 QUANTITY: \_\_\_\_\_  
 SIZE: \_\_\_\_\_ SUCT. X DISC. X B.D.  
 DUE DATE: \_\_\_\_\_  
 NOTES: \_\_\_\_\_  
 CENTER PIPE LENGTH: \_\_\_\_\_  
 BARREL PIPE LENGTH: \_\_\_\_\_



DRILL THRU HOLES  
 HOLES ON A \_\_\_\_\_  
 B.C.



T HEAD



DRAWN BY	SCALE	MATERIAL
CHEK'D	DATE	DRAWING NO.
TRACED	APP'D	